



TJ 9000

THE "ORIGINAL" TRAILER JOCKEY

PURE MUSCLE!

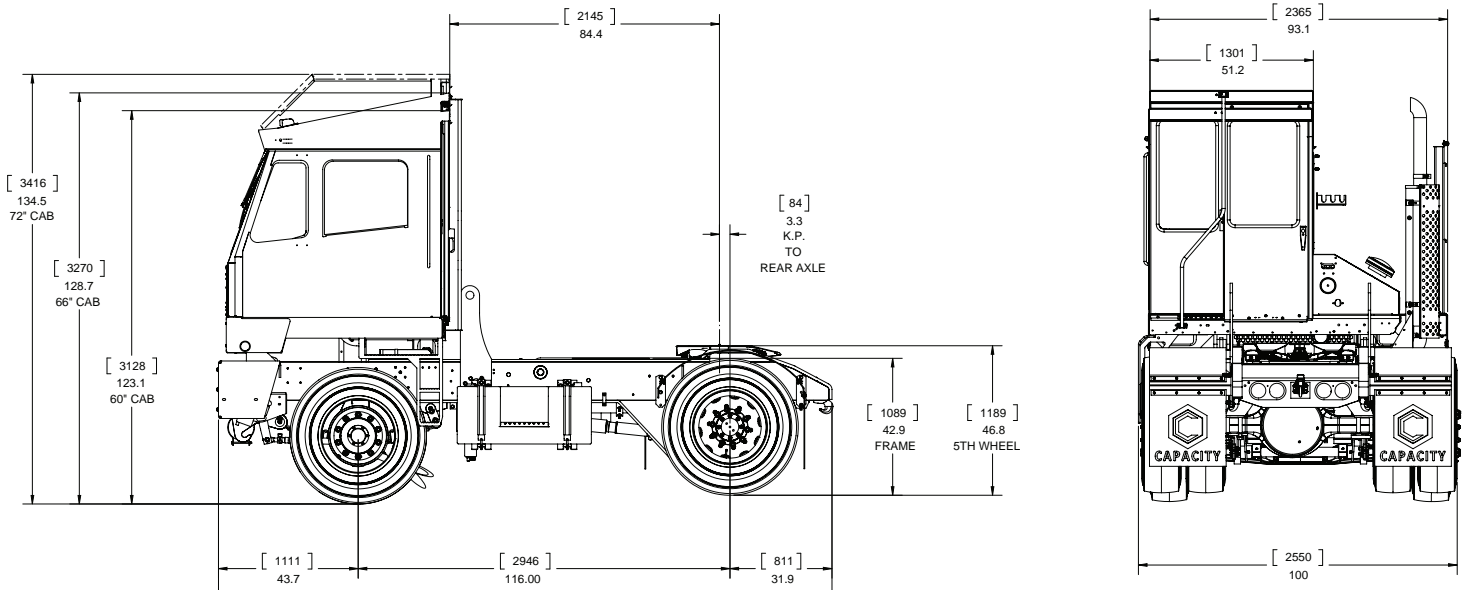
THE ULTIMATE POWER PLAYER, designed for maximum uptime. From the one-piece structural steel frame to the interior of the all-steel cab, every aspect of the TJ 9000 is engineered to meet the needs of the **BIGGEST JOBS!**

The TJ 9000 is ideal for extra-heavy-duty applications, capable of moving up to 200,000 pounds. Whether on the road or in the yard, when you add the industry-exclusive Capacity DURA-RIDE® suspension, you now have **THE MUSCLE** plus a satisfying day in the saddle!



CAPACITY
REV GROUP

**MOUNTAIN
OF MUSCLE**



SPECIFICATIONS

Engine	Cummins ISB6.7L 200 Horsepower, 2400 RPM Turbocharged and Charge Air Cooled; Cummins 6.7 TF4 173 Horsepower	Cab	66" Ergo Cab, All-Steel Construction
Transmission	Allison RDS 3500	Cab Suspension	4-Point Air Ride Cab
Front Axle	Meritor FL-941 16,000 lbs. Capacity	HVAC	Air Conditioning w/45,000 BTU Heater/Defroster
Rear Axle	Meritor MOR-32 12.28:1 Ratio, 70,000 lbs. Terminal Rating	Electrical	12V, Multiplex Electrical System
Suspension	Rigid or Dura-Ride® Suspension	Telematics	CapacityVision™ Telematics
5th Wheel	SAF Holland FW35TT Rated for 80,000 lbs.	Gauges	J1939 Digital Gauges
Cylinders	5" Diameter; 16" Lift Height	Worklights	LED Worklights, Marker Lights, Rear/Stop Lights and Back-Up Lights
GCVW	Up to 200,000 lbs.	PRP	CORSOL PRP, Corrosion Polymer Coating
Frame	Fully Welded Structural "C" Channel	Paint	5-Year, Prorated Paint Warranty
Warranty	2-Year/6000-Hour Warranty (whichever occurs first)	Frame Warranty	7-Year/25,000-Hour Warranty (whichever occurs first)