



TJ 6500

THE "ORIGINAL" TRAILER JOCKEY

A SERIOUS WORKHORSE!

Introducing the TJ 5000's **BIGGER BROTHER**...we took the **INDUSTRY STANDARD** and added an additional axle. The TJ 6500 is the ideal *TRAILER JOCKEY* for less-than-ideal road/yard conditions.

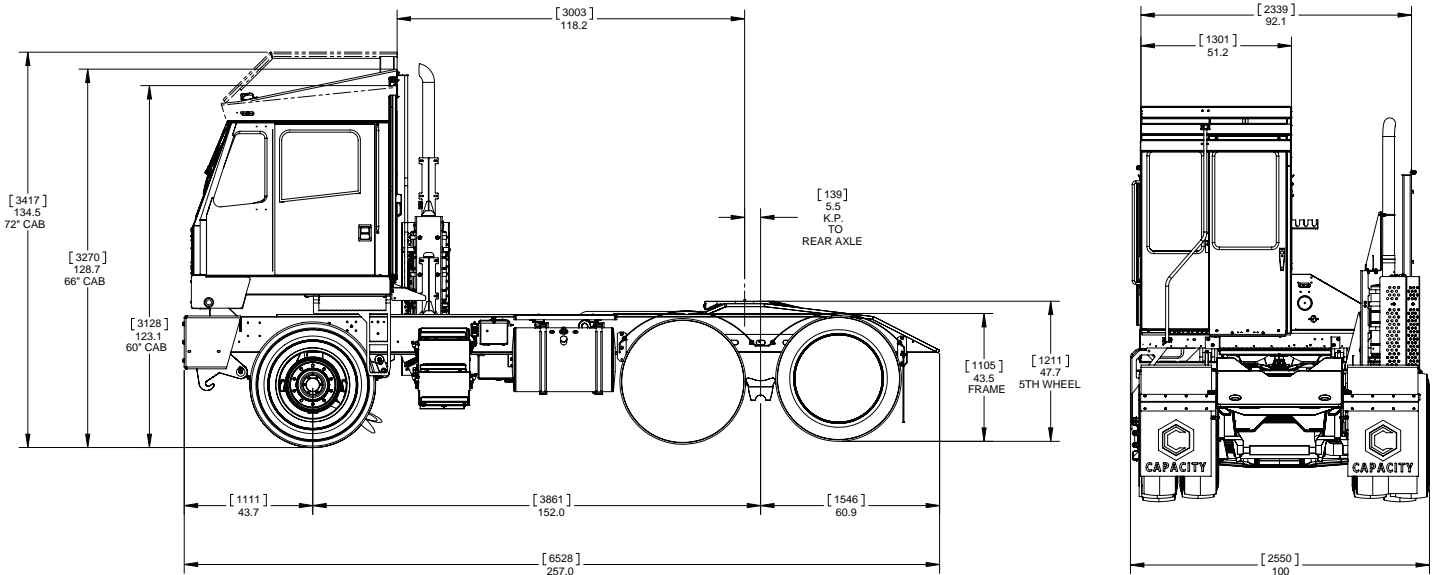
Whether you're transferring trash from the transfer station to the landfill or just need **MORE TRACTION**, **CONTROL** and **STABILITY**, choose TJ 6500 to get the **JOB DONE!** It's a reliable workhorse for the day-to-day, on-road and off-road operations.



CAPACITY
REV GROUP

**YOUR
PLUS ONE**

Capacity is ISO 9001 Certified.



SPECIFICATIONS

Engine	Cummins ISB6.7L 200 Horsepower, 2400 RPM Turbocharged and Charge Air Cooled; Cummins 6.7 TF4 173 Horsepower	Cab	66" Ergo Cab, All-Steel Construction
Transmission	Allison RDS 3500	Cab Suspension	4-Point Air Ride Cab
Front Axle	Meritor FF-961 12,000 lbs. Capacity	HVAC	Air Conditioning w/45,000 BTU Heater/Defroster
Rear Axle	Tandem Meritor MT44-145 7.17:1 Ratio, 40,000 lbs. Terminal Rating	Electrical	12V, Multiplex Electrical System
Suspension	Hendrickson Tandem Suspension	Telematics	CapacityVision™ Telematics
5th Wheel	SAF Holland FW35TT Rated for 80,000 lbs.	Gauges	J1939 Digital Gauges
Cylinders	5" Diameter; 16" Lift Height	Worklights	LED Worklights, Marker Lights, Rear/Stop Lights and Back-Up Lights
GCVW	125,000 lbs.	PRP	CORSOL PRP, Corrosion Polymer Coating
Frame	Fully Welded Structural "C" Channel	Paint	5-Year, Prorated Paint Warranty
Warranty	2-Year/6,000-Hour Warranty (whichever occurs first)	Frame Warranty	7-Year/25,000-Hour (whichever occurs first)