



# TJ 5000

*THE "ORIGINAL" TRAILER JOCKEY*

## **THE STANDARD – DURABILITY AND PERFORMANCE**

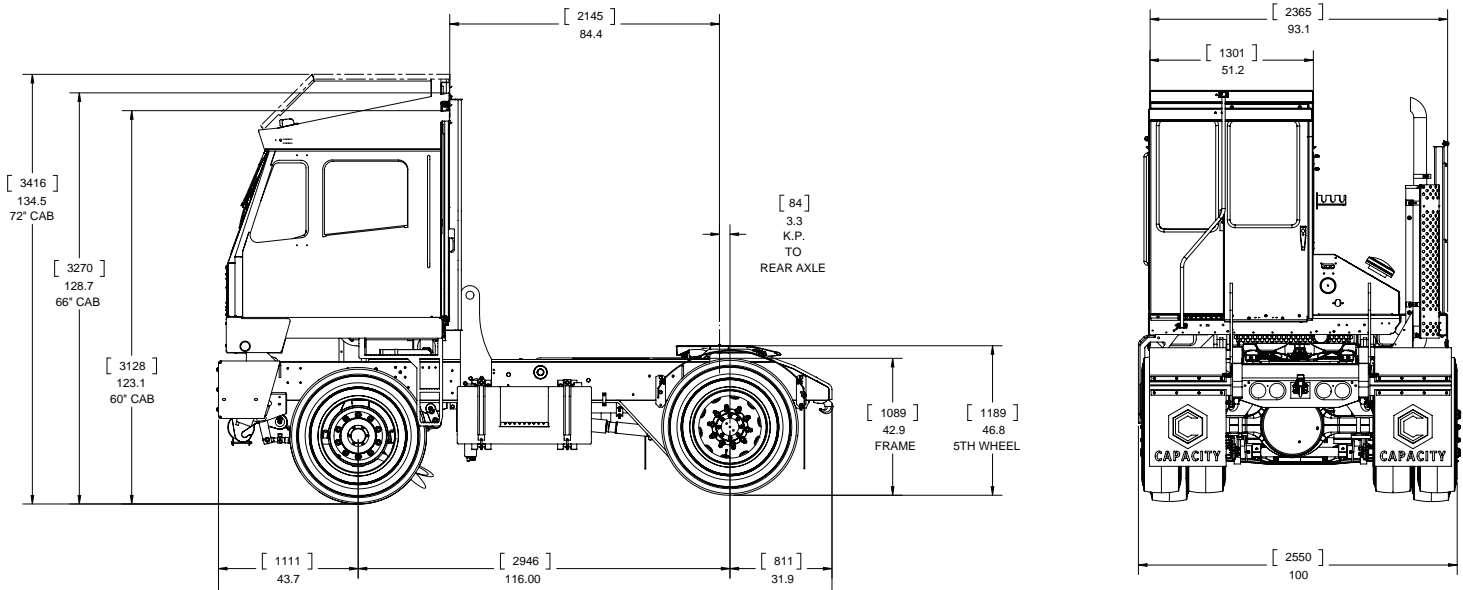
Whether you're on the road or in the yard, you can count on the TJ 5000 to get the **JOB DONE** efficiently and effectively. Ideal for warehouse and distribution applications, the *TRAILER JOCKEY* outperforms and outlasts the competition.

Now add in the Capacity DURA-RIDE® suspension, and you now have **PERFORMANCE, RIDE** and **COMFORT** for a satisfying day in the saddle of the TJ 5000.



**PERFORMANCE  
THROUGH UPTIME**

Capacity is ISO 9001 Certified.



## SPECIFICATIONS

<b>Engine</b>	Cummins ISB6.7L 200 Horsepower, 2400 RPM Turbocharged and Charge Air Cooled; Cummins 6.7 TF4 164 Horsepower	<b>Cab</b>	66" Ergo Cab, All-Steel Construction
<b>Transmission</b>	Allison RDS 3500	<b>Cab Suspension</b>	4-Point Air Ride Cab
<b>Front Axle</b>	Meritor FF-961 12,000 lbs. Capacity	<b>HVAC</b>	Air Conditioning w/45,000 BTU Heater/Defroster
<b>Rear Axle</b>	Meritor RS24-160 7.17:1 Ratio, 30,000 lbs. Terminal Rating	<b>Electrical</b>	12V, Multiplex Electrical System
<b>Suspension</b>	Dura-Ride® Air Suspension or Rigid Suspension	<b>Telematics</b>	CapacityVision™ Telematics
<b>5th Wheel</b>	SAF Holland FW35TT Rated for 80,000 lbs.	<b>Gauges</b>	J1939 Digital Gauges
<b>Cylinders</b>	5" Diameter; 16" Lift Height	<b>Worklights</b>	LED Worklights, Marker Lights, Rear/Stop Lights and Back-Up Lights
<b>GCVW</b>	81,000 lbs.	<b>PRP</b>	CORSOL PRP, Corrosion Polymer Coating
<b>Frame</b>	Fully Welded Structural "C" Channel	<b>Paint</b>	5-Year, Prorated Paint Warranty
<b>Warranty</b>	2-Year/6,000-Hour Warranty (whichever occurs first)	<b>Frame Warranty</b>	7-Year/25,000-Hour (whichever occurs first)